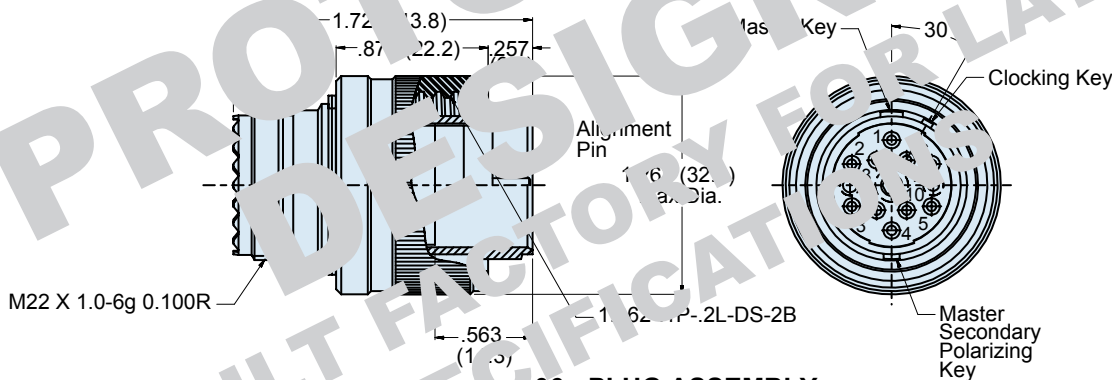
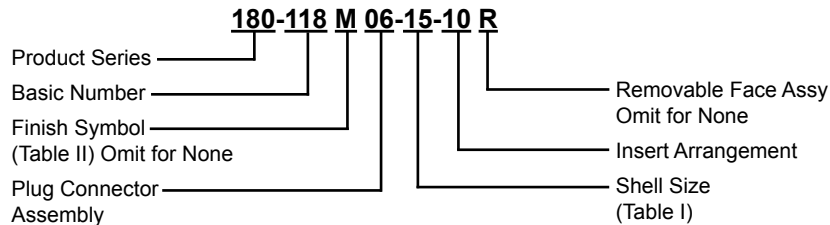


# 180-118 (06 Plug Assembly) Next Generation (NGCON) Fiber Optic SS15 Plug Connector



PROTOTYPE DESIGN FOR LATEST SPECIFICATION

APPLICATION NOTES	
1. Assembly identified with Glenair, Inc and P/N, Space Permitting.	
2. Glenair 180-118 Connector Features:	
A. Plug Barrel, Shell, Coupling Nut & Retainer- Al Alloy 6061- T6	
B. Insert- Al Alloy/ Anodize, Black or High Grade Engineering Plastic	
C. Seal, Gasket & O-Ring - Fluorosilicone/ Silicone Blend	
D. Alignment Pins, Screw, Thrust Washer & Retaining Ring - Stainless Steel	
E. Termini: Not Supplied	
F. Operating Temperature Range: -55°C to +200°C.	
3. See AP 18-098 & -099 for Plug Assy. AP 18-100 & -101 for Receptacle Assy.	
4. Metric dimensions (mm) are in parentheses.	

TABLE II - FINISH	
SYM	FINISH DESCRIPTION
<b>C</b>	Anodize, Black
<b>M</b>	Electroless Nickel Plate
<b>Z1</b>	Stainless Steel, Passivated
<b>NF</b>	Zinc-Nickel/Olive Drab Over Electroless Nickel